

Model No. VL-SVN511

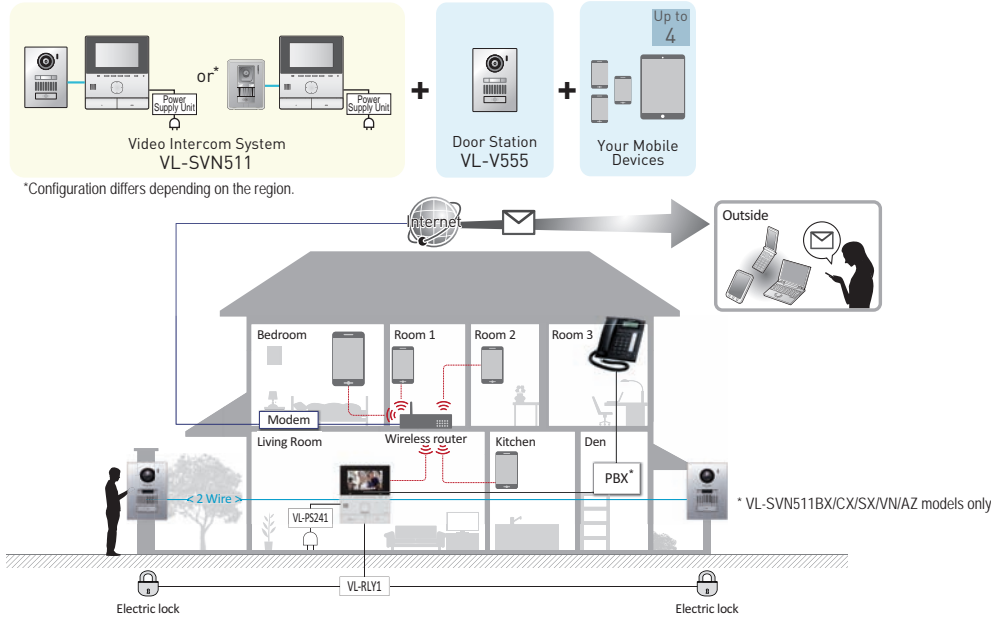
Video Intercom System (Smartphone Connect Model)

* Only for distribution in Europe, Middle East, Asia & Oceania



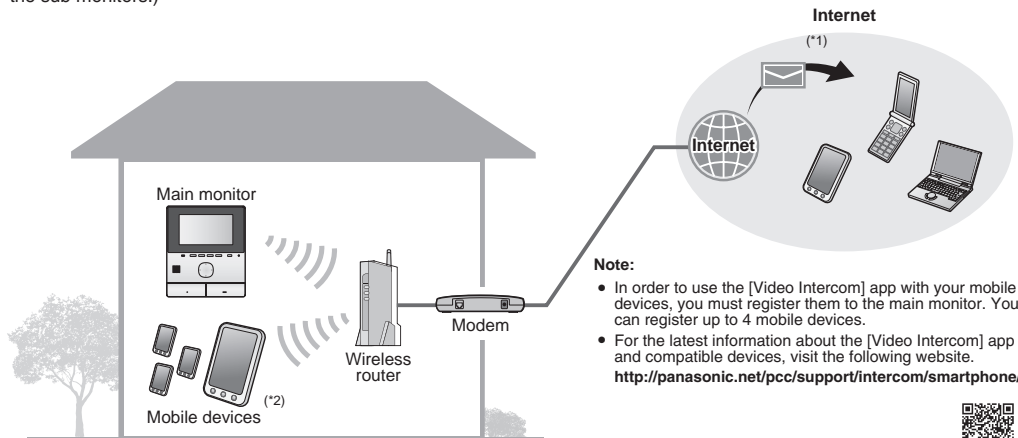
System Configuration

Expanded system example

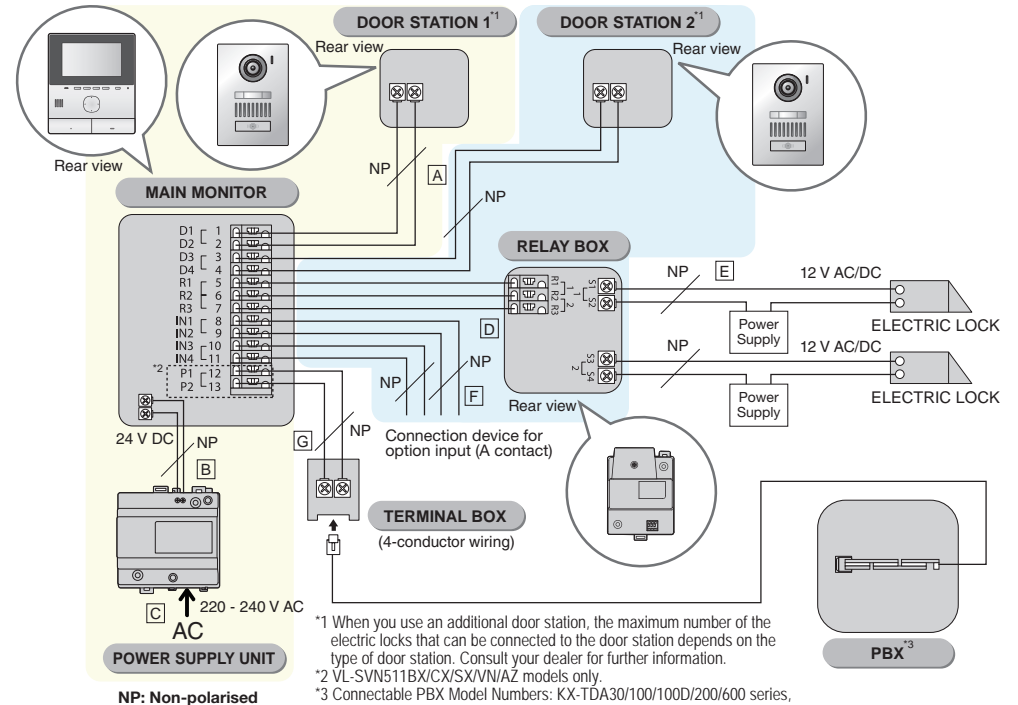


Network Connections

The main monitor can connect to various devices over Wireless LAN and over the Internet, allowing you to receive notifications (*1) even when away from home. You can also use the dedicated [Video Intercom] app and access main monitor features using your mobile devices (*2), such as smartphones and tablets. (Your mobile devices can be used as the sub monitors.)



Wiring Schematic Diagram



Wire type and length

Wiring run	Wire type ¹			
		Diameter	Length (Max.)	
Main monitor – Door station	A	φ 0.65 mm	22 AWG	100 m
		φ 1.0 mm	18 AWG	130 m
		φ 0.5 mm	CAT 5	50 m
Main monitor – Power supply unit	B	φ 0.65 mm	22 AWG	10 m
		φ 1.0 mm	18 AWG	20 m
Power supply unit – AC power source ²	C	φ 1.2 mm - φ 2.0 mm (17 AWG - 12 AWG)	No requirement	
Main monitor – Relay box	D	φ 0.65 mm	22 AWG	100 m
		φ 1.0 mm	18 AWG	130 m
Relay box – Electric lock ³	E	φ 0.5 mm - φ 1.2 mm (24 AWG - 17 AWG)	According to specification of connected device.	
Main monitor – Connection device for option input (A contact) ³	F	φ 0.5 mm - φ 1.2 mm (24 AWG - 17 AWG)	According to specification of connected device.	
Main monitor – PBX	G	φ 0.65 mm	CAT 3 or 22 AWG	100 m

¹ Type: Single-pair cable with outer sheath (jacket)

Conductor: Copper solid

• A certified power supply wiring has to be used with this equipment. The relevant national installation and/or equipment regulations shall be considered.
 • A certified power supply wiring not lighter than ordinary polyvinyl chloride flexible wiring according to IEC 60227 shall be used.

² VL-SVN511EX/SVN511FX models only

³ When using an electric lock or a connection device for option input (A contact), select a device that meets the following guidelines:

• Electric lock connection terminal (S1/S2, S3/S4): N/O dry closure contact
 12 V AC/DC, less than 1 A

• Connection device for option input (A contact) terminal (IN1/IN2/IN3/IN4): Input method: No-voltage contact
 Open-circuit voltage between terminals: DC 7 V or less

Detection definite time: 0.1 second or more

Short-circuit between terminals: 5 mA or less

Resistance value: make: 500 Ω or less make, break: 15 KΩ or more